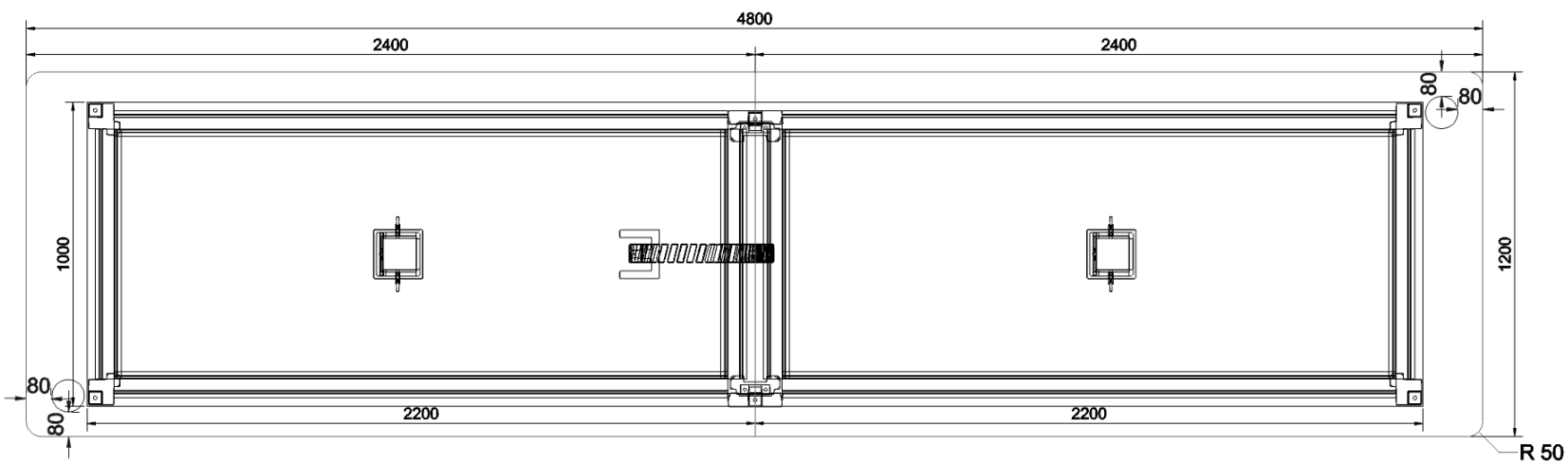


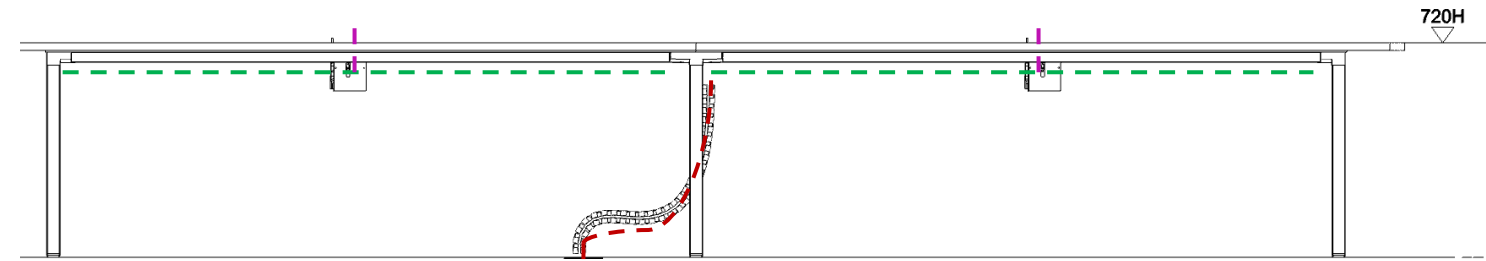
Conference Meeting Table



KALIDRO CONFERENCE

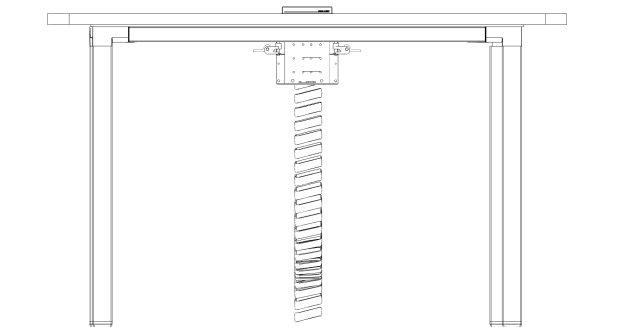


Top View



Front View

- - - Cable management from power outlet to cable tray
- - - Cable management from cable tray to top
- - - Cable management from cable tray to understructure motor



Side View

KWC-1
Wireless Charging Spot

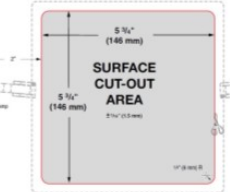


KWC-1 (Kramer Wireless Charging) is a built-in table mounted charging spot that enables you to charge your mobile device by simply placing it on the charging spot.
If your mobile device does not feature wireless charging, you can connect it to a charging dongle (sold separately) and then place it on the charging spot.

FEATURES

Elegant in-Table Solution
Easy to Install - Drill a hole 4.17" to 4.25" (106 to 108mm) in tables less than 3" (76mm) thick
Qi Standard Compliant

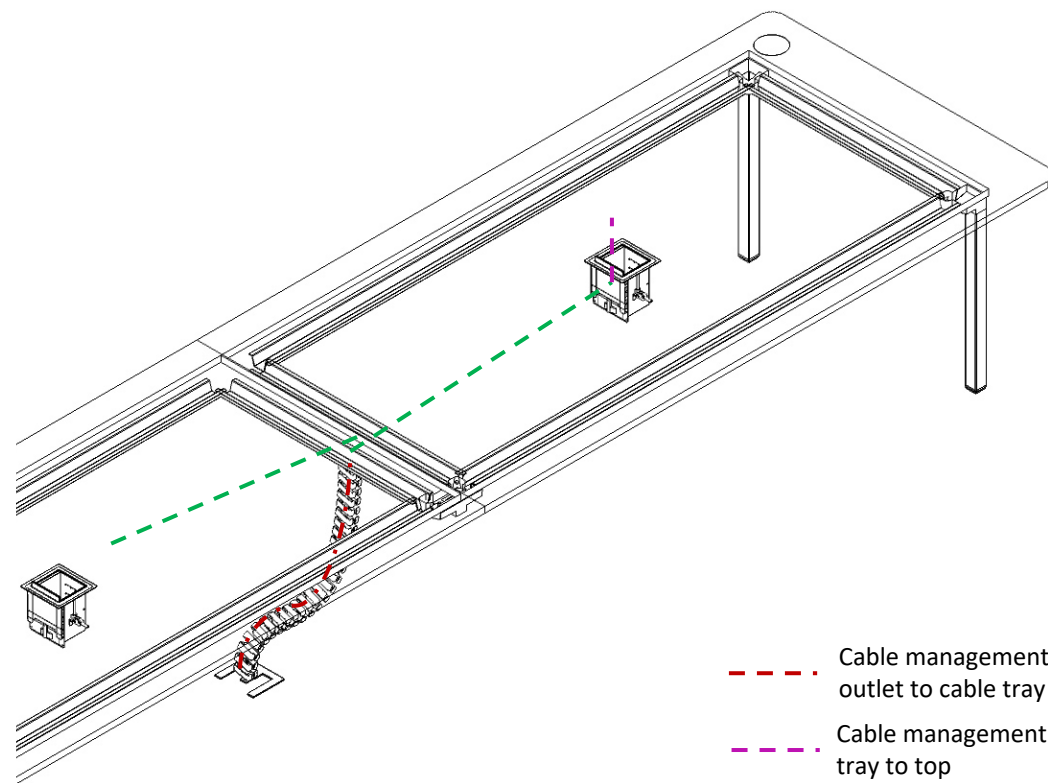
KRAMER WIRELESS CHARGING SPOT



SURFACE CUT-OUT AREA
5 1/4" (140 mm)

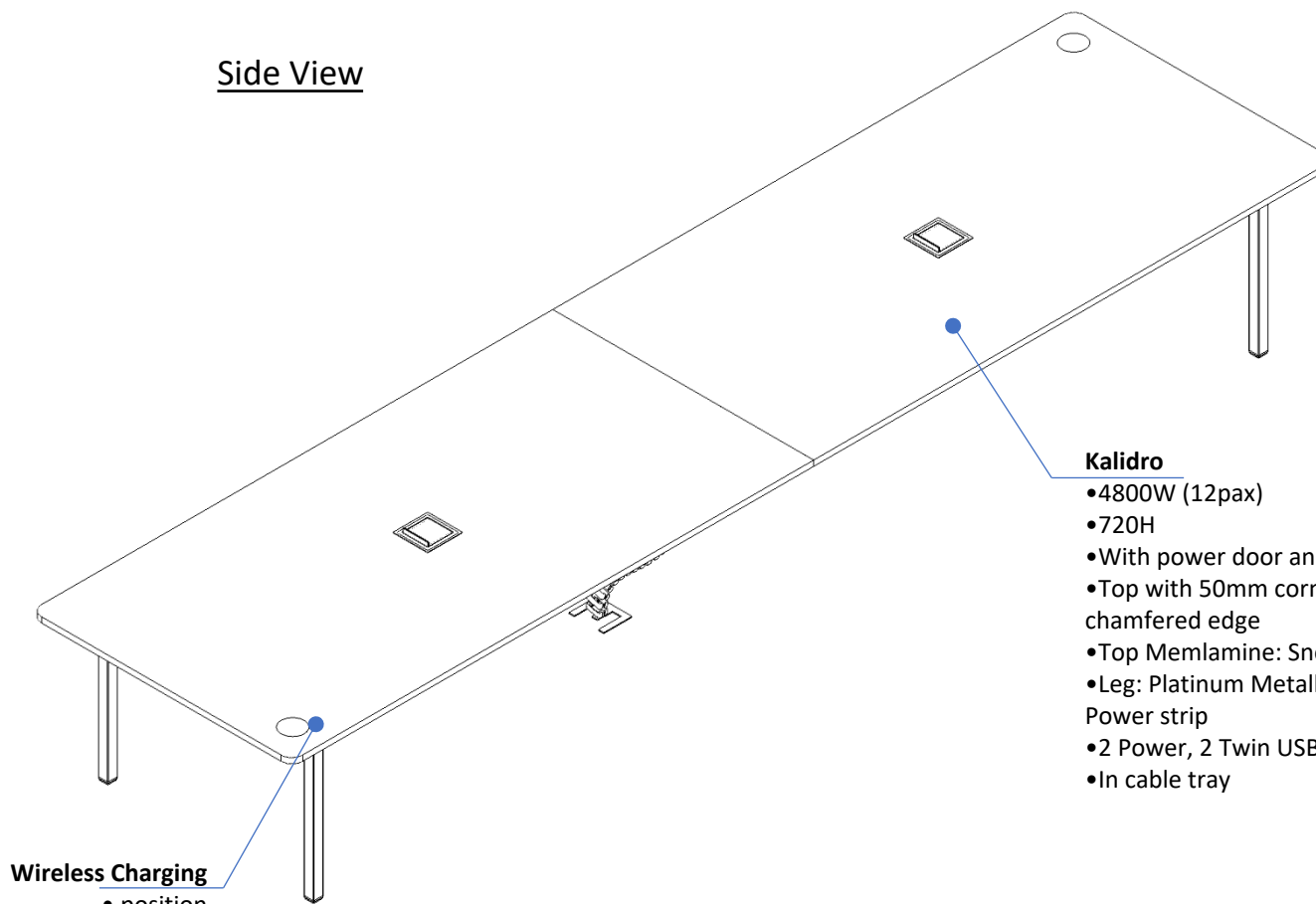
↑ User Access

EXTRON CABLE CUBBY 500



- - - Cable management from power outlet to cable tray
- - - Cable management from cable tray to top
- - - Cable management from cable tray to understructure motor

Isometric View



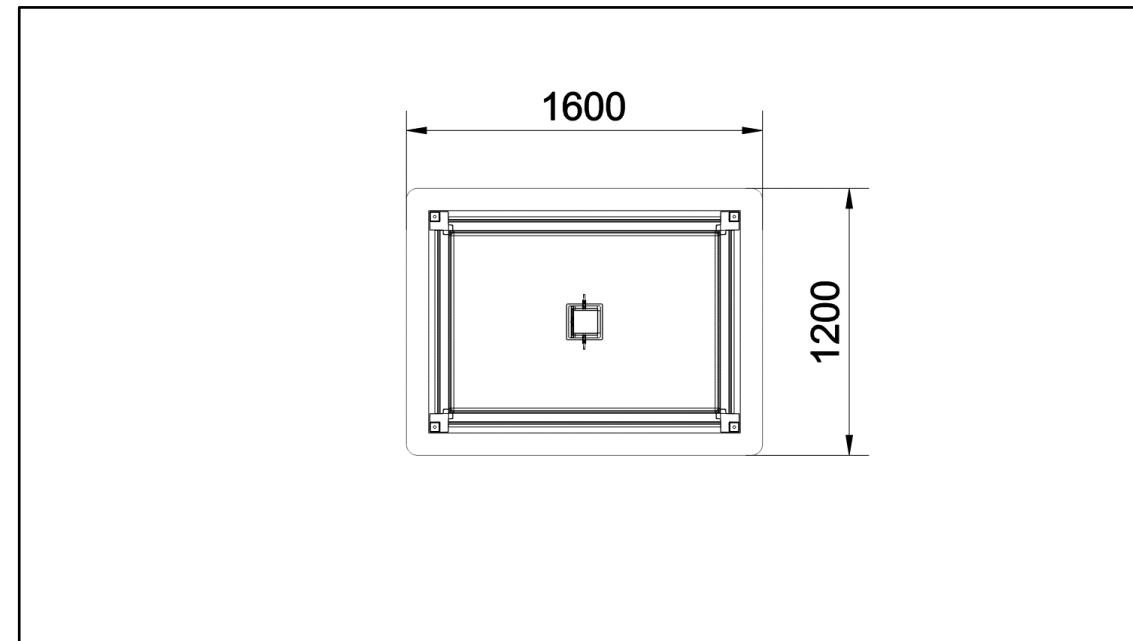
- Kalidro**
- 4800W (12pax)
 - 720H
 - With power door and cable tray
 - Top with 50mm corner radius and chamfered edge
 - Top Memlamine: Snow
 - Leg: Platinum Metallic
 - Power strip
 - 2 Power, 2 Twin USB (4 Unit)
 - In cable tray

Wireless Charging
• position

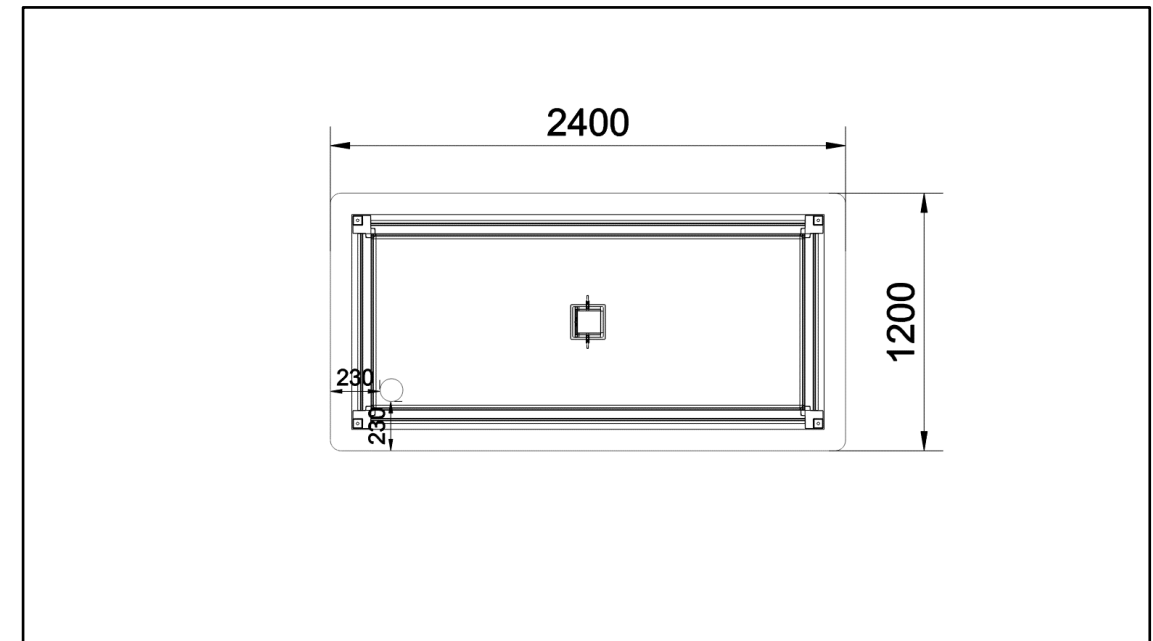
Conference Meeting Table



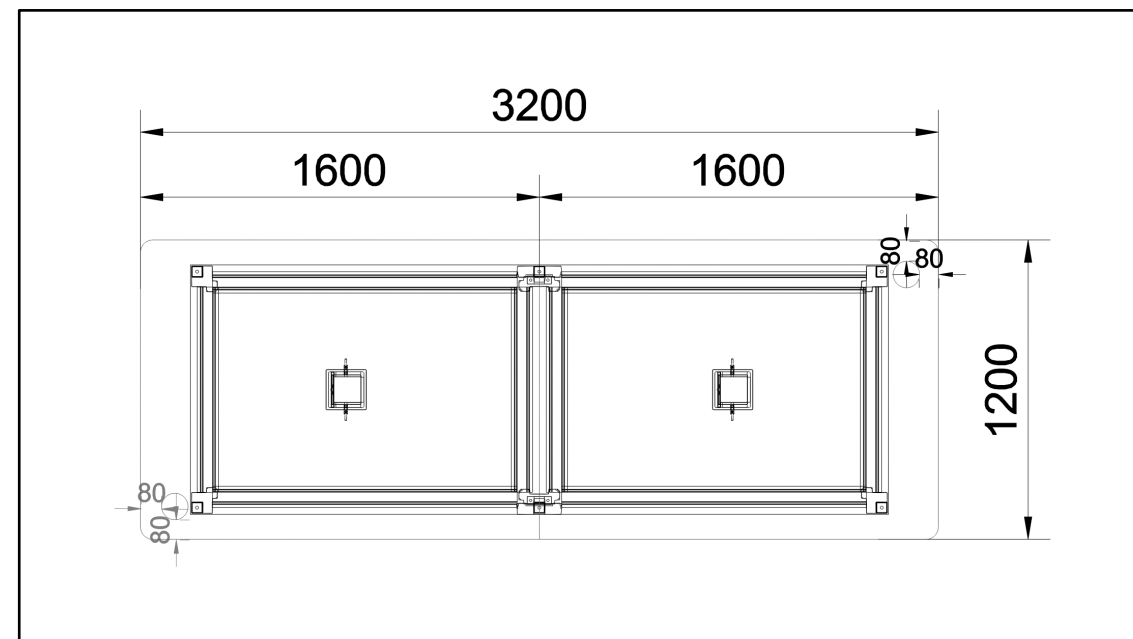
KALIDRO CONFERENCE



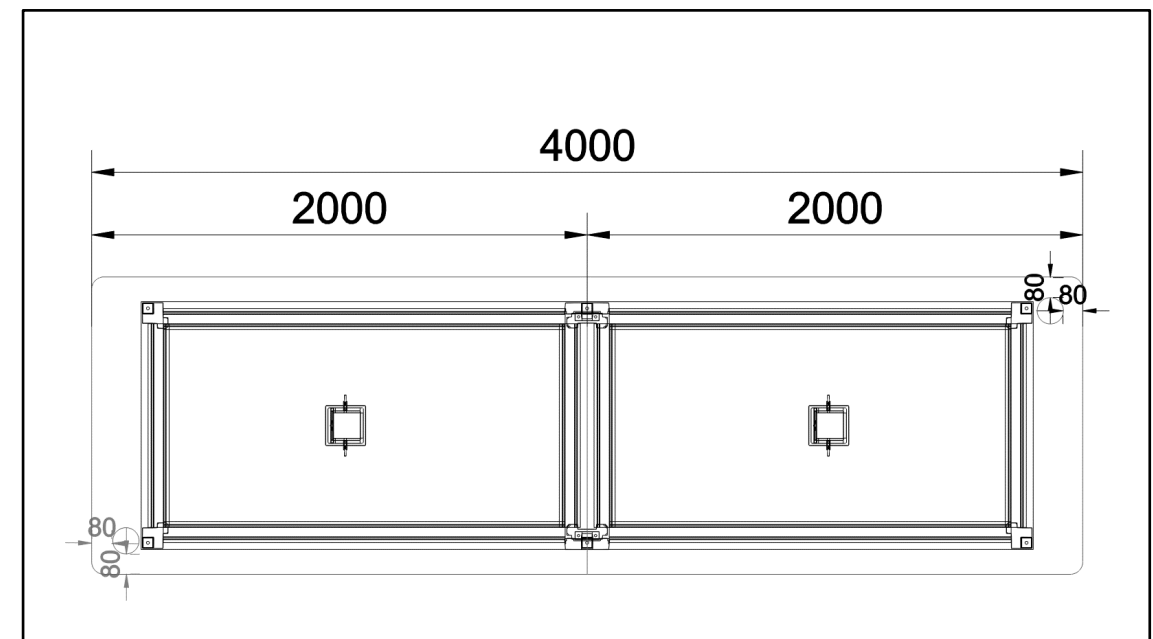
4PAX



6PAX



8PAX



10PAX