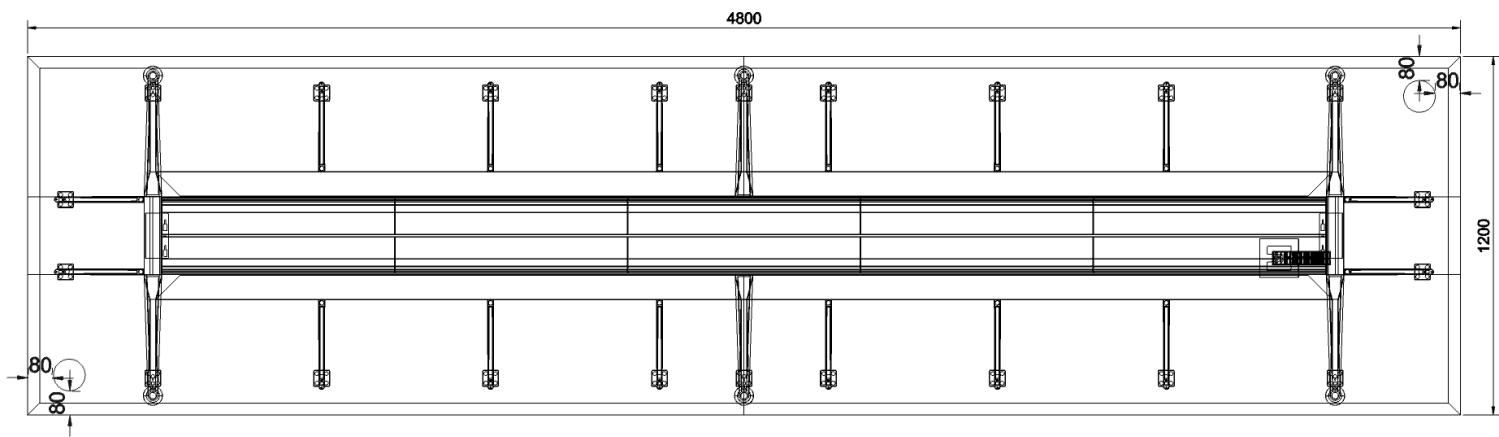


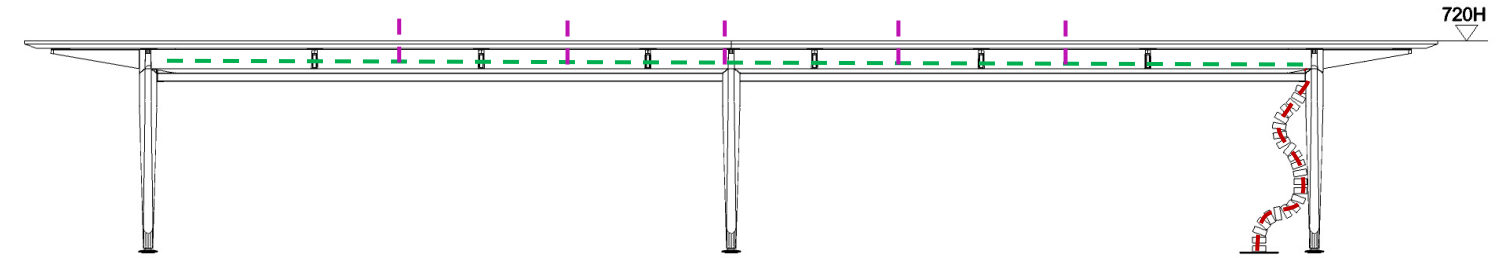
# Conference Meeting Table



4.8

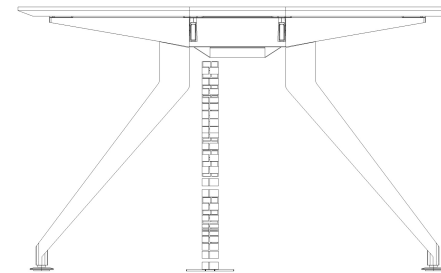


Top View

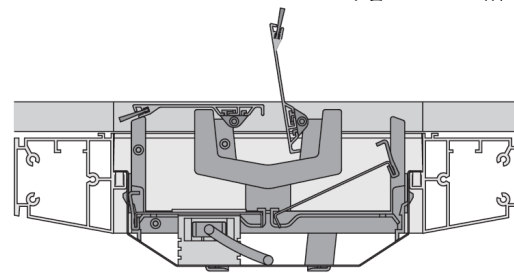


Front View

- - - Cable management from power outlet to cable tray
- - - Cable management from cable tray to top
- - - Cable management from cable tray to understructure motor

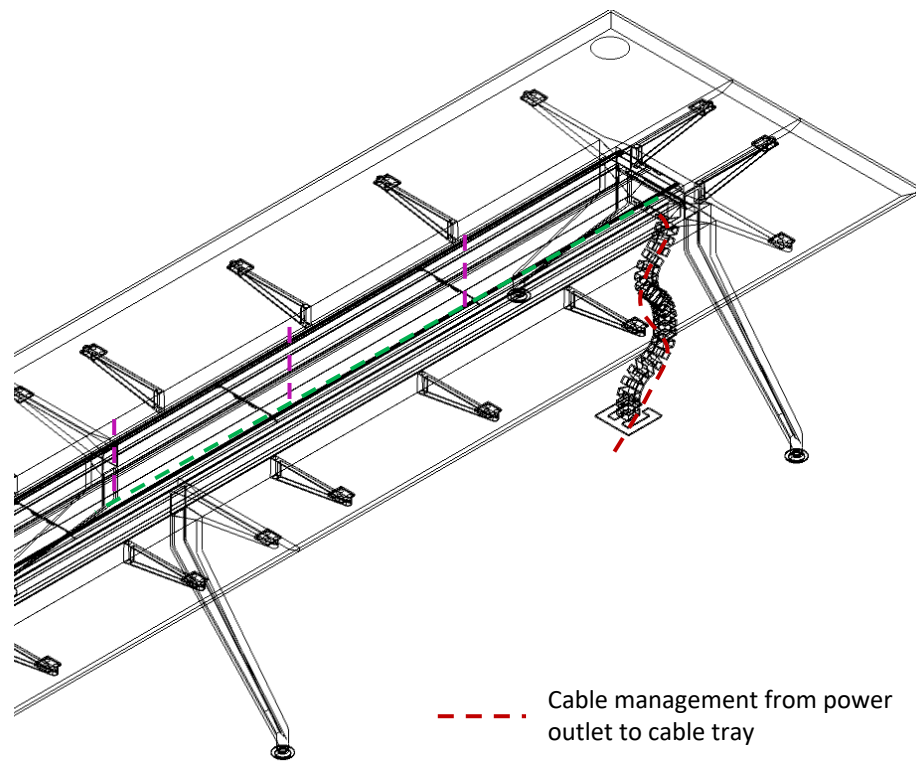


Side View



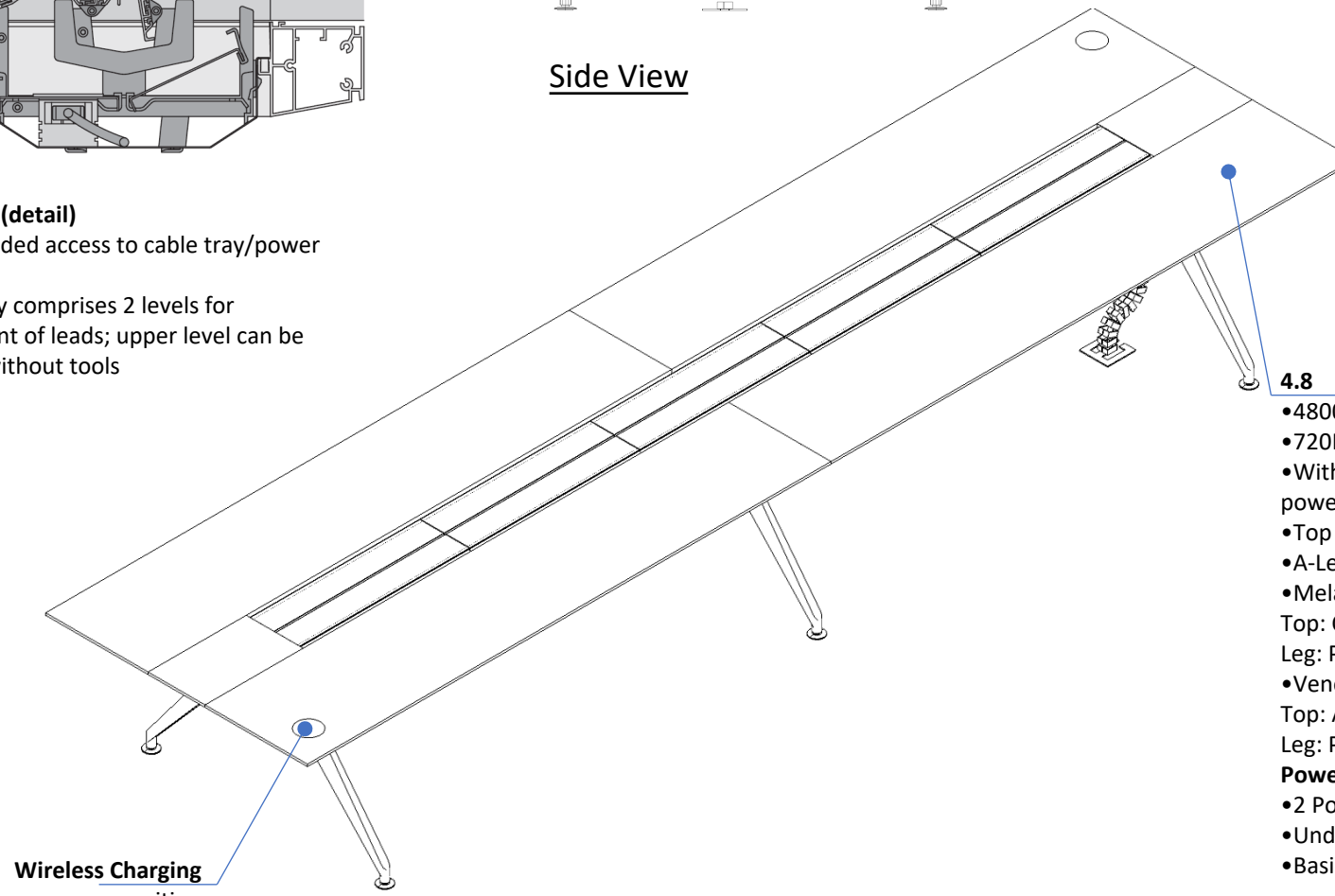
### Cable Tray (detail)

- Double-sided access to cable tray/power supply
- Cable tray comprises 2 levels for concealment of leads; upper level can be removed without tools



- - - Cable management from power outlet to cable tray
- - - Cable management from cable tray to top
- - - Cable management from cable tray to understructure motor

Isometric View



Wireless Charging  
• position

**KWC-1**  
Wireless Charging Spot



KWC-1 (Kramer Wireless Charging) is a built-in table mounted charging spot that enables you to charge your mobile device by simply placing it on the charging spot.  
If your mobile device does not feature wireless charging, you can connect it to a charging dongle (sold separately) and then place it on the charging spot.

**FEATURES**

Elegant in-Table Solution  
Easy to Install - Drill a hole 4.17" to 4.28" (106 to 108mm) in tables less than 3" (76mm) thick  
Qi Standard Compliant

**KRAMER WIRELESS CHARGING SPOT**

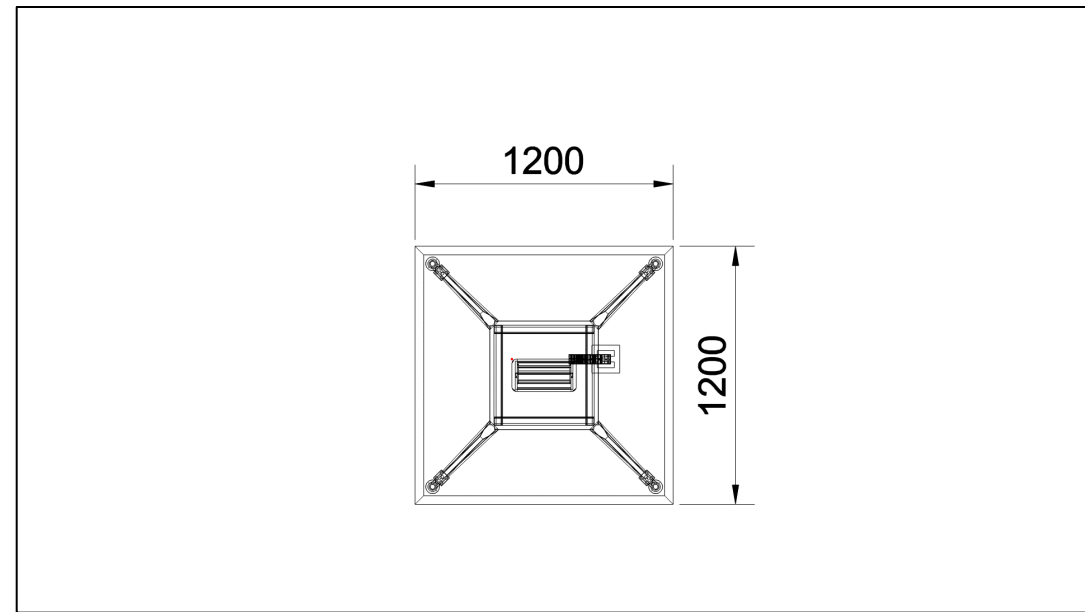
4.8

- 4800W (12pax)
- 720H
- With flippers, cable tray and vertical cover (2 power and 2 USB per unit)
- Top with chamfered edge
- A-Leg type
- Melamine (variant)  
Top: Clear Oak – LPL  
Leg: Platinum Metallic (Silver) – Smooth Metallic
- Veneer (variant)  
Top: American Walnut – Veneer  
Leg: Platinum Metallic (Silver) – Smooth Metallic
- Power strip**
- 2 Power, 1 Twin Data
- Under worktop
- Basic: Merle

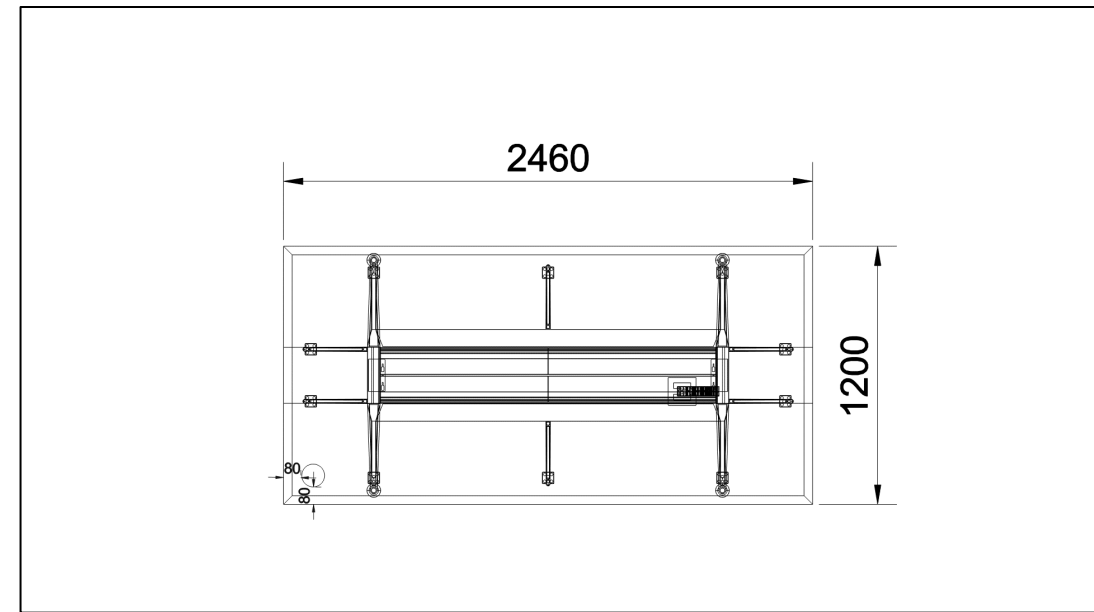
# Conference Meeting Table



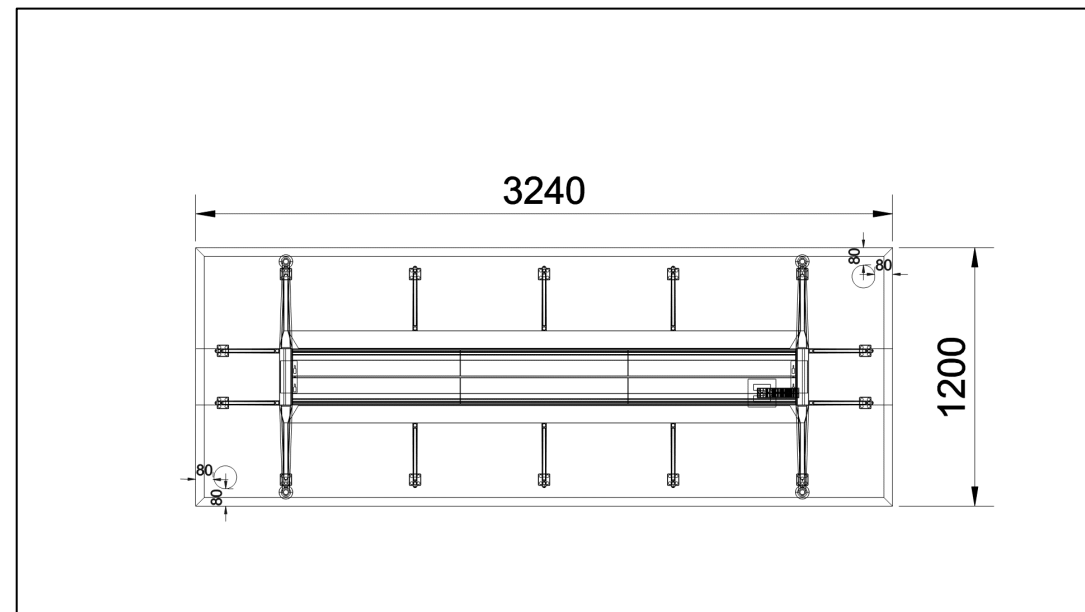
4.8



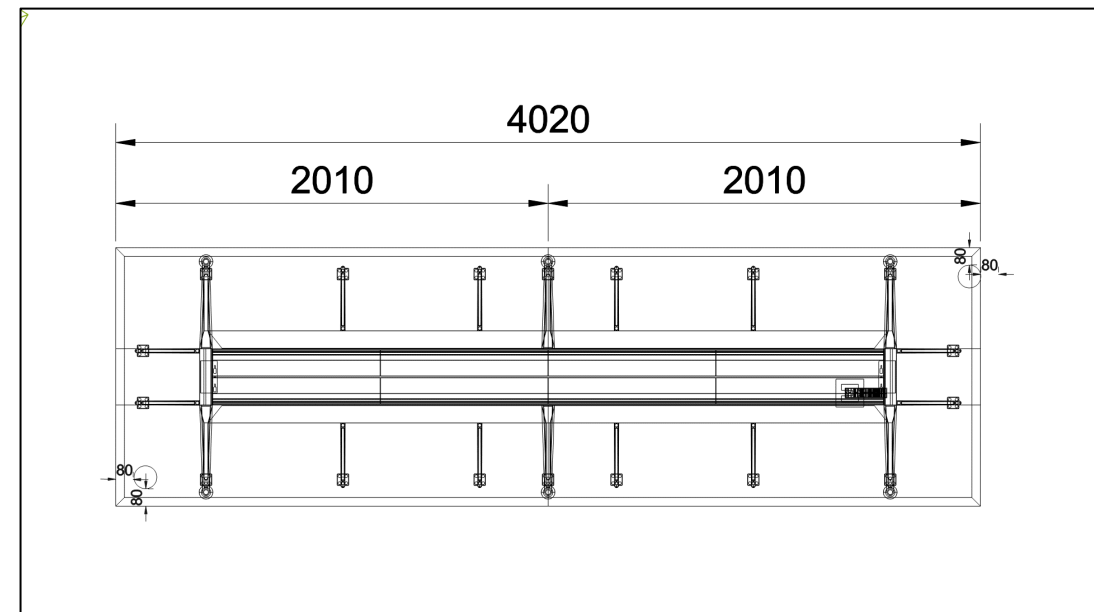
4PAX



6PAX



8PAX



10PAX